



**聚智信阀业**

Zhejiang Juzhixin Valve Industry Co., LTD

# PROVIDE HIGH QUALITY BALL VALVE SOLUTION

提供高品质的球阀解决方案



**浙江聚智信阀业有限公司**  
Zhejiang Juzhixin Valve Industry Co., LTD

地址：浙江省温州市滨海经济开发区二路五道港荣路33号

联系电话：0577-67890978

企业邮箱：juzxfy@juzxv.com

官网：www.juzxv.com

© 聚智信企业(JUZHIXIN ENTERPRISE)2021版权所有 采用生态纸印刷/Adopt Ecological Paper To Print

本说明书仅用于系列产品的的相关信息，因技术升级或采用更新的生产工艺更改手册的相关内容，或对本手册印刷数据不准确的信息进行必要的修改，恕不另行通知，采购时请与我们联系，确保正确信息！我公司享有最终解释权。

品牌推广：P0000 和甲广告 0577-86858181 13957700307

**浙江聚智信阀业有限公司**  
Zhejiang Juzhixin Valve Industry Co., LTD

# ENTERPRISE CULTURE

## • 聚智信文化

- 1.誓言：“我们生的平凡，但不能活得平庸，一群有情有义的人，一辈子，一条心。用毕生所学，努力做一份伟大而有意义的事情”！
- 2.发展愿景：“汇聚知识人才，团结协作，诚信经营，共襄发展大计”！
- 3.企业精神：“团结拼搏，求真务实，忠诚进取，追求卓越”！
- 4.经营方针：“以市场为导向，做强聚智信品牌，以客户为中心，助力行业新发展”！
- 5.经营目标：“视质量为生命，视品质如尊严，竭诚为广大用户提供优质的产品与服务”！
- 6.使命：有管道的地方，就有聚智信品牌！

### Company Culture:

**Oath:** We are all born to be ordinary, but not live to be ordinary. A group of people with similar hobbies and desire are focusing and striving for the same career;

**Spirit:** United, Sincere, Practical and Superior

**Target:** Quality-oriented

**Mission:** Wherever there is pipe, there is JUZX product

## COMPANY PROFILE

### 企业简介

浙江聚智信阀业有限公司，原名“温州捷凯智能设备科技有限公司”，创办于2018年，坐落于温州市龙湾区，濒临东海，与机场、轻轨2号线、沈海高速复线接壤，交通便利。是一家集国标与美标手动、气动及电动法兰浮动球阀，低高平台法兰浮动式球阀，固定式球阀，单、双向硬密封法兰球阀，意大利式薄型法兰球阀，锻钢中高压球阀，V型球阀等其他非标订制球阀产品的研发、生产及销售于一体的科技型企业。

公司拥有一批高精度的加工中心设备、数控加工机床、四轴360°钻夹中心等生产设备，拥有移动式光谱仪、拉伸试验机、金相分析仪等试验设备，配合Solidworks与UG三维设计软件的造型辅助功能，利用多功能3D打印机，准确造型，精准快速实现设计到产出的验证。同时，公司以标准化的制造工艺指导制造现场，利用智慧工厂与数字化车间的理念打造现代化智能制造的生产现场，在提升公司生产制造效率时，为阀门制造行业提供了可供参考的样板工程。

公司目前拥有一批专业从事阀门、智能自动化设备、软件/集成电路及硬件设计开发工程师技术人员，本科以上学历及具有中级以上职称直接从事研发工作的人员共计8人，占企业总人数的35%。自公司创立以来，获得多项专利技术，其中发明专利2件，实用新型专利6项，外观专利4项，在国家核心期刊发表学术性论文3篇，注册多个类别的商标4项。公司秉承“团结拼搏，求真务实；忠诚进取，追求卓越”的精神，以“市场为导向，汇聚知识人才，团结协作，共襄发展大计”的企业发展理念及愿景，竭诚欢迎广大同仁及客户洽谈合作。

Zhejiang Juzhixin Valve Co., Ltd., established in 2018, is located in Longwan District, Wenzhou, which is near to East China sea and Wenzhou Airport. We mainly focus on the R&D, production and marketing of flange ball valve. Our ball valves fall into high/low platform floating ball valve, trunnion type ball valve, single/dual direction metal sealing ball valve, Italian thin type ball valve, forging medium/high pressure ball valve, V segment ball valve, etc.

We are equipped with a batch of high precision CNC machine and lathe, four-axis 360° drill clamp center, test machines such as spectrometer, Tensile testing machine, metallographic analyzer. Combined with solidworks & UG 3D Software and multifunctional 3D printer, we can make design idea into reality. Our production is a modern smart one guided by the theory of smart factory and digital workshop, so that the production efficiency is improved and a reference sample can be set for valve production industry.

The company currently has a team of engineers and technical personnel specializing in valve, intelligent automation equipment, software/integrated circuit and hardware design and development. We have obtained a number of patented technologies, including 2 invention patents, 6 utility model patents, 4 appearance patents, 3 academic papers published in national core journals, and 4 trademarks registered in multiple categories. We sincerely hope to establish good relationships with clients from domestic and overseas market.



production  
workshop  
生产车间

**ADVANCED HIGH,**  
precise and cutting-edge equipment ensures  
high-quality products

先进的高、精、尖设备保证了高品质的产品

聚智信将产品质量视为公司的生命，基于此，我们不断投入资金引进及研发新的设备，规范生产检验流程，逐步优化产品制造工艺，使每位员工都能按章操作，从而杜绝了浪费，提高产能及品质，最终赢得了市场。

JUZHIXIN deems product quality as the life of the company. Based on this, we continue to invest in the introduction and R&D of new equipment, standardize the production inspection process, and gradually optimize the product manufacturing process, so that every employee can operate based on regulations, so that we can win the market.



## Product design development 产品设计开发

## PURSUE CONTINUOUS INNOVATION

Pursue continuous innovation in products, technologies, services and management

追求产品、技术、服务和经营管理的不断创新

聚智信拥有一批专业的阀门研发团队，均拥有多年的泵阀设计及制造经验，以解决用户需求及满足工况现场使用为设计输入，以标准化为基础，以标准化作业指导书及制造工艺文件为输出，利用三维及3D造型技术实现设计开发的快速输出验证，最终完成“做好的产品”的设计与服务目标，并确保每台产品在管线中发挥其完美的性能。

Juzhixin R&D team has many years of pump & valve design and manufacturing experience, to solve user needs and meet the working conditions on-site use as design input, based on standardization, standardized operation instructions and manufacturing process documents as output, use three-dimensional and 3D modeling technology to achieve rapid output verification of design and development, and finally complete the design and service goals of "good products", and ensure that each product works perfect in the pipeline.



# Team & After sales

团队&售后

## TALENT AND EFFICIENT TEAM

Excellent corporate culture can't live without an excellent team

优秀的企业文化，离不开一个卓越的团队

在聚智信公司成长的过程中形成了自己独具特色的企业文化，公司在管理上以企业文化为手段，使管理和文化相结合，形成了管理促进文化，文化辅助管理的良好氛围，由于拥有良好的人性化管理模式，公司在提高企业整体形象的同时，也大大增强了员工的凝聚力和向心力！

In the process of the growth of Juzhixin Company, it has formed its own unique corporate culture. The company uses corporate culture as a means of management to combine management and culture, forming a good atmosphere of management promotion culture and cultural assistance management. With a good humanized management model, the company not only improves the overall image of the company, but also greatly enhances the cohesion and centripetal force of employees.



# Quality Inspection

品质检测

## STRICT TESTING, QUALITY ASSURANCE!

严格检测，品质保障！

公司拥有先进的检测设备和仪器，在技术和科研队伍方面，以精良的工艺和严格完善的质量管理体系为准绳，充分利用新技术，新工艺，新材料保证产品的稳定和可靠性，产品质量取源于工艺的先进性，精品意识源于不断的创新，不管世界如何变化，聚智信人精益求精的执着精神不变。

Juzhixin has advanced testing equipment and instruments. In the technology and scientific research team, with sophisticated technology and strict and complete quality management system as the criterion, we make full use of new technologies, new processes, and new materials to ensure product stability and reliability. Product quality is originated from the advanced nature of craftsmanship, and the awareness of quality products originated from continuous innovation. No matter how the world changes, the persistent spirit of Juzhixin people for excellence remains unchanged.

# 我们的优势 Our Advantages



# APPLICATION 应用领域

产品广泛应用于石油，化工，电力，天然气，水利，制药等行业，以成熟的品质严格的质量体系把控，保障产品制造到销售环节上得以高效的和正常运行，专业的技术团队以及售后服务，满足更高要求的客户！

Our products are widely used in petroleum, chemical, electric power, natural gas, water conservancy, pharmaceutical and other industries. Well-organized quality control system to ensure the product efficiency and regular sales operation, professional technical team and after-sales service to meet higher requirements of customers.

## \*行业优势\* Industry advantage

公司主要产品属于工程管道阀门等领域，是管道连接和启闭不可缺少的组成部分，公司所服务的企业深受客户的高度赞扬，中国的阀门年需求量大，因此，公司的生存空间和市场潜力巨大。

Ball valves belong to engineering pipeline valves fields, which are an indispensable part of pipeline connection and opening and closing. Our clients are highly praised by customers. The annual demand for valves in China is large. Therefore, the company's living space and market potential is huge.

## \*企业优势\* Business advantage

浙江聚智信阀业有限公司是球阀制造的企业，严格遵循ISO9001质量体系要求指导及研发制造全过程，按照国家特种设备许可证的要求来完成每一道工序，是国内多家大中型企业的优质供应商。

Zhejiang Juzhixin Valve Industry Co., Ltd. is a ball valve manufacturer. It strictly follows ISO9001 quality system requirements and the entire process of R&D and manufacturing. It completes each process in accordance with the requirements of the national special equipment license. It is a high-quality supply for many large and medium-sized domestic enterprises. business enterprises of quality suppliers.

## \*产品优势\* Product advantages

浙江聚智信阀业有限公司主要产品有手动软/硬密封球阀系列，低平台软/硬密封球阀系列，高平台软/硬密封球阀系列，模锻低中高压球阀，锻钢软/硬密封球阀系和固定式球阀系列，等产品，严格按 GB、ANSI、DIN、JIK等标准生产，产品齐全，材质达标，并备有大量库存现货！

Our main products are manual soft/hard sealing ball valve series, low platform soft/hard sealing ball valve series, high platform soft/hard sealing ball valve series, die forging low, medium and high pressure ball valve, forged steel soft/hard sealing ball valve Series and fixed ball valve series, and other products, are produced in strict accordance with standards such as GB, ANSI, DIN, JIK, etc. Product range is complete and large stock is available for fast delivery.

## \*技术优势\* Technical advantages

公司自成立起来，一直注重产品的工艺研发和改进，先后研发多项球阀及生产工艺，申请多项发明及使用专利加以保护，差异化的设计及制造理念，颠覆行业传统制造工艺。明显的产品质量和革新在行业中奠定了扎实的基础。

Since establishment, the company has been focusing on product process research and development and improvement. It has successively developed a number of ball valves and production processes, applied for multiple inventions and patents for protection, differentiated design and manufacturing concepts, and subverted the traditional manufacturing process of the industry. Obvious product quality and innovation have laid a solid foundation in the industry.

## \*经营优势\* Business advantage

公司凭借在工业阀门行业中的多年实践经验，并拥有专业化的服务团队，以提供优质服务为主导，对客户进行售前，售中，售后服务，力求为客户节约时间和成本，共创双赢。

With years of practical experience in the industrial valve industry and a professional service team, the company takes the provision of high-quality services as the lead, and provides customers with pre-sales, in-sales and after-sales services, striving to save time and costs for customers, and create a win-win situation.



**特征 Features**

- 全口径 Full port, 1/2"~14" (DN15~DN300)
- 阀体工作压力 Body W.P.: 1000-2000WOG (PN63)
- 法兰端工作压力 Flange end W.P.: PN16/64, CLASS 150/600
- 工作温度 W.T.: -96°C~425°C
- 阀杆防爆出装置设计 Blow-out proof stem
- ISO5211直装高平台设计 (可选) ISO5211 Direct mounting pad (option)
- 手柄带锁装置 (可选) Locking device handle (option)
- 国标 GB PN16-63
- 设计标准 Design: GB / T 12237
- 法兰标准 Flange dimension: GB/T 9113 HG/T 20592
- 检验 & 测试 Inspection & testing: GB / T 13927, JB / T 9092

- 美标 ANSI CLASS 150/600
- 设计标准 Design: ASME B16.34
- 法兰标准 Flange dimension: ASME B16.5
- 检验 & 测试 Inspection & testing: API 598
- 德标 DIN PN16/40
- 设计标准 Design: EN1983, EN12516-1
- 法兰标准 Flange dimension: DIN 2543~2545  
EN1092-1 PN16/40
- 结构长度 Face to face: DIN 3202-F1, EN 558-1
- 检验 & 测试 Inspection & testing: DIN 3230, EN12266-1



不锈钢高平台国标球阀



不锈钢高平台美标球阀



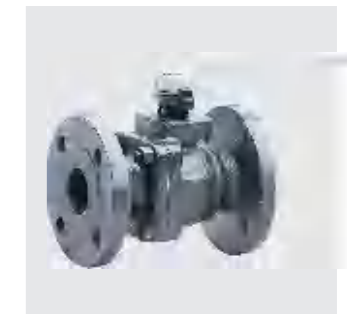
不锈钢硬密封球阀



不锈钢低平台美标球阀



整体锻球阀



整体锻球阀



碳钢美标球阀



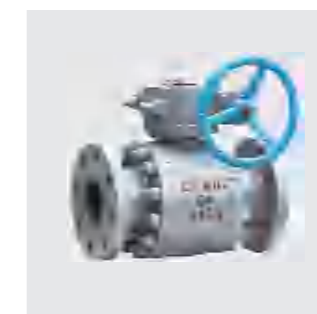
国标蜗轮球阀



薄型球阀



锻钢球阀



锻钢球阀



不锈钢锻球阀

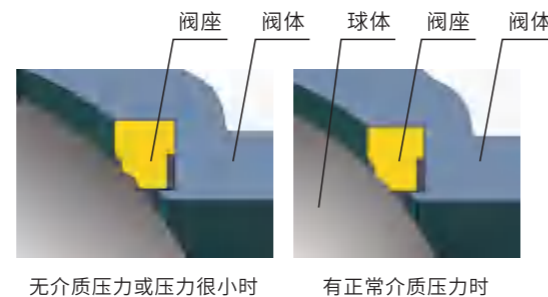


## 结构描述 Production equipment

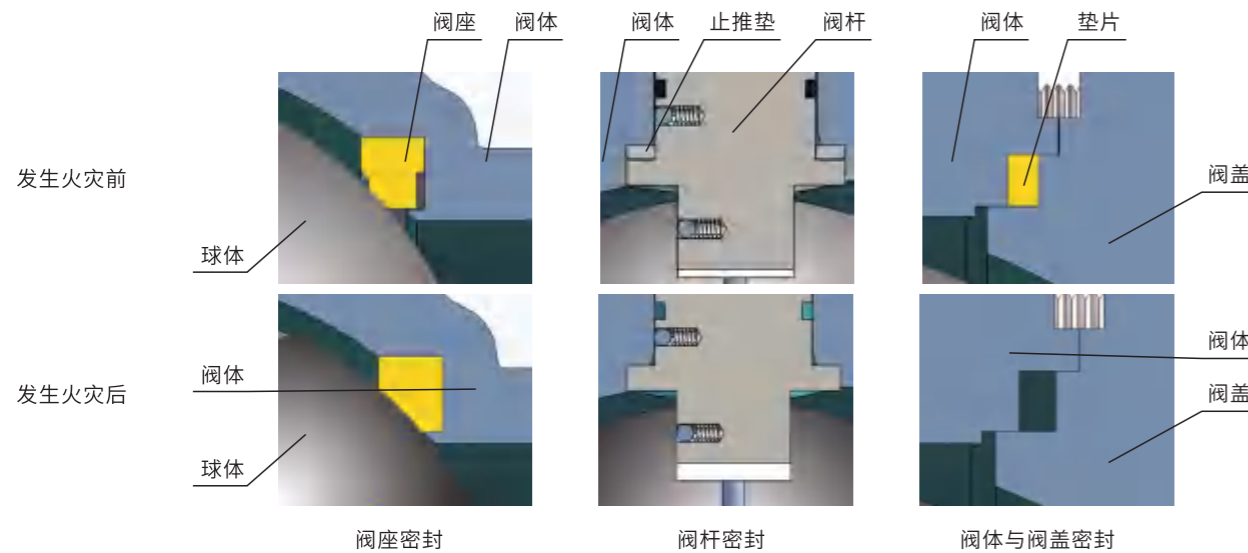
### 浮动球阀的设计特色

#### 1 阀座可靠密封性能

我公司根据多年的经验，专门设计为浮动球阀设计了"可记忆唇形阀"当介质运行在低压区时，依靠阀座产生的变形力保证阀座有最小的密封比压；当介质运行在工作压力区时，阀座与球体接触面积增大，阀座的密封比压增大。对长期运行在低压和高压下的阀座，由于阀座的某些特性导致其密封性能减弱，先前的阀座变形刚好可弥补密封力减小。



#### 2 防火、防静电装置设计

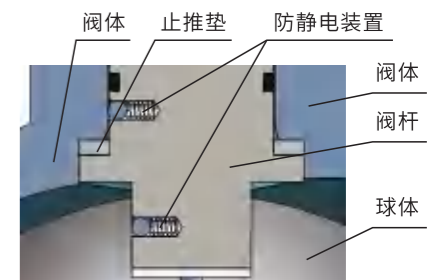


防火、防静电装置是我公司软密封球阀的标准设计。我们在球体与阀杆、阀杆与阀体之间都加装了防静电装置，避免了某些工况下因静电的累积而发生危险。同时，当采用聚四氟乙烯等非金属材料制作的阀座、止推垫、阀体间垫片、中法兰垫片、O形圈、阀杆填料在发生火灾时时分解或被破解后，我们特别设计金属对金属或者柔性石墨+金属的辅助密封结构，能最大限度的控制阀门的内漏和外漏。对于有防火设计的阀门均符合API 607、API 6FA、EN ISO 10497等标准的要求。

### 浮动球阀的设计特色

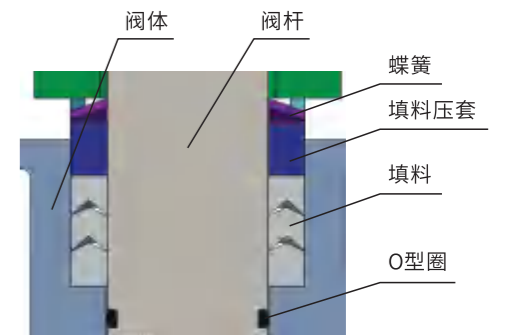
#### 3 阀杆可靠设计

阀杆采用从阀体中腔装入、靠近球体部分设计成T形结构。当它受阀体内部压力的时候，阀杆上T型处凸台就会阻止其被吹出阀体外。并与止推垫起到密封作用，同时利用其它自润滑作用。减轻阀门的操作扭矩。



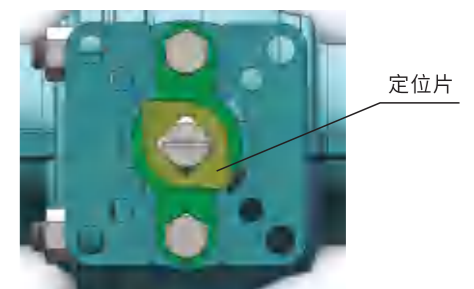
#### 4 填料防漏设计

针对在阀门填料可能发生的任何泄漏。我们设计了三道密封。第一道密封我们在阀杆加一O形圈，利用了橡胶的变形来保证密封，再就是填料采用V形填料结构，能将塑料的变形能力和介质的压力转化为阀杆的密封力。最后我们在填料压套加了一组蝶簧，以防止在填料高压压缩变形后低压下发生的泄漏。



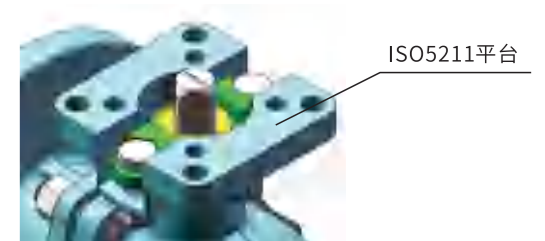
#### 5 防误操作设计

在填料压板上我们特别装配了可90度旋转的定位片，以防止误操作。当手柄与管道平行，阀门处于开启状态；如与管道垂直，则阀门处于关闭状态。

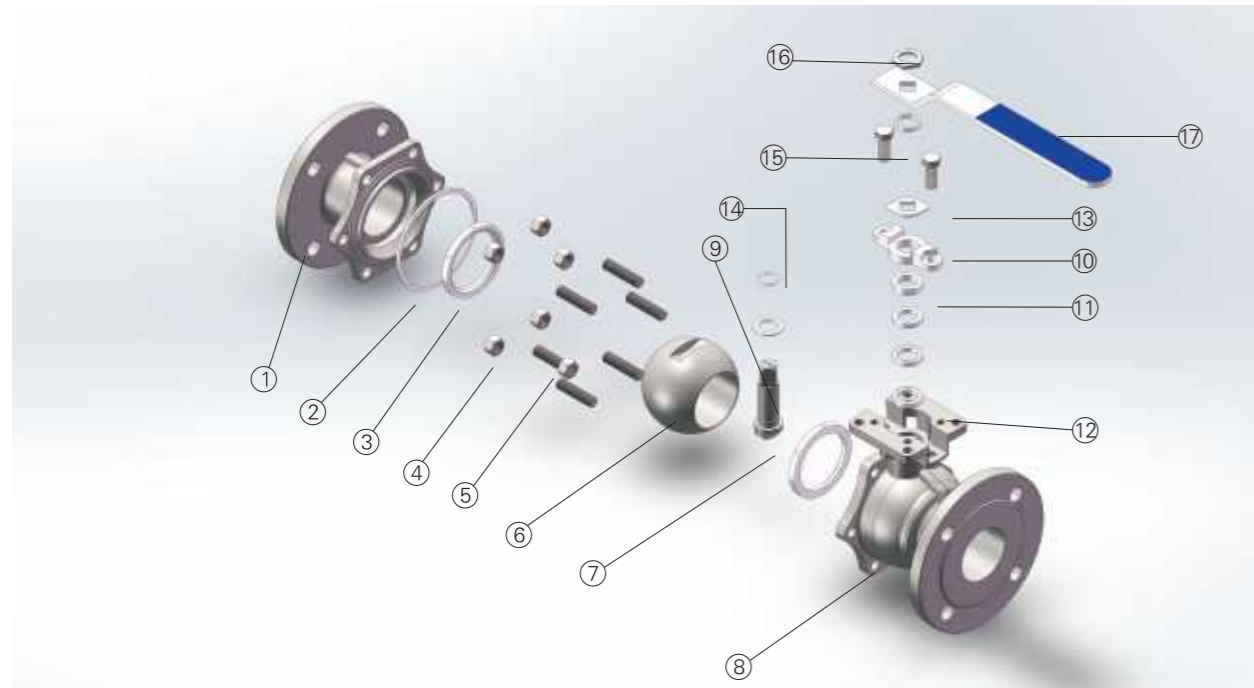


#### 6 方便的高平台设计

高平台为本阀最大特点，我们将阀门与执行器连接地支架直接设计到了阀门上，它完全符合ISO 5211(GB/T 12223)标准要求。无论客户身处世界何地，都可为本阀门直接配上合适的执行机构。



高平台法兰球阀 FLANGED BALL VALVE WITH TOP MOUNTING



主要零件材料 The main parts materials

序号 No.	零件名称 Part name	碳钢系列	不锈钢系列	低温钢系列	抗硫系列 Sulfur series	
		Carbon steel	Stainless steel	Low temperature steel	碳钢系列 Carbon steel	不锈钢系列 Stainless steel
1	阀盖 Cap	A216 WCB	A351 CF8/CF8M	A352 LCB/ LCC	A216 WCB	A351 CF8M
2	垫片 Gasket	柔性石墨+不锈钢 Graphite+stainless				
3	阀座 Seap	PTFE、RPTFE				
4	螺母 Nut	A194 2H	A194 8/8M	A194 4	A194 2HM	A194 8M
5	螺柱 Bolt	A193 B7	A193 B8/B8M	A320 L7	A193 B7M	A193 B8M
6	球体 Ball	A105+ HCr/ENP	A182 F304/F316	A182 F304	A105+ HCr/ENP	A182 F316+ENP
7	防静电装置 Antistatic device	不锈钢+弹簧 SS+spring				
8	阀体 Body	A216 WCB	A351—CF8/CF8M	A352 LCB、 LCC	A216 WCB	A351 CF8M
9	阀杆 Stem	A182 F6a	A182 F304/316	A182 F6a	A182 F6a	A182 F316
10	填料压盖 Gland flange	A216 WCB	A351 CF8/CF8M	A351 CF8	A216 WCB	A351 CF8M
11	填料压套 Gland	A182 F6a	SS304	A182 F6a	A182 F6a	SS304
12	填料 Packing	柔性石墨、PTFE				
13	定位片 Stopper	Q235A				
14	O型圈材料 O-ring	VITON				
15	螺钉 Glot	A193 B7	A193 B8/B8M	A320 L7	A193 B7M	A193 B8M
16	锁紧螺母 Nut	A194 2H、A194 8				
17	手柄 Handle	A216 WCB 铝合金				

注: 1.以上为各代表材质的标准配置, 可以按工况或客户要求另外配置。  
2.抗硫系列符合NACE 0175/0103标准。  
3.本产品有硅溶胶和复合模两种阀体

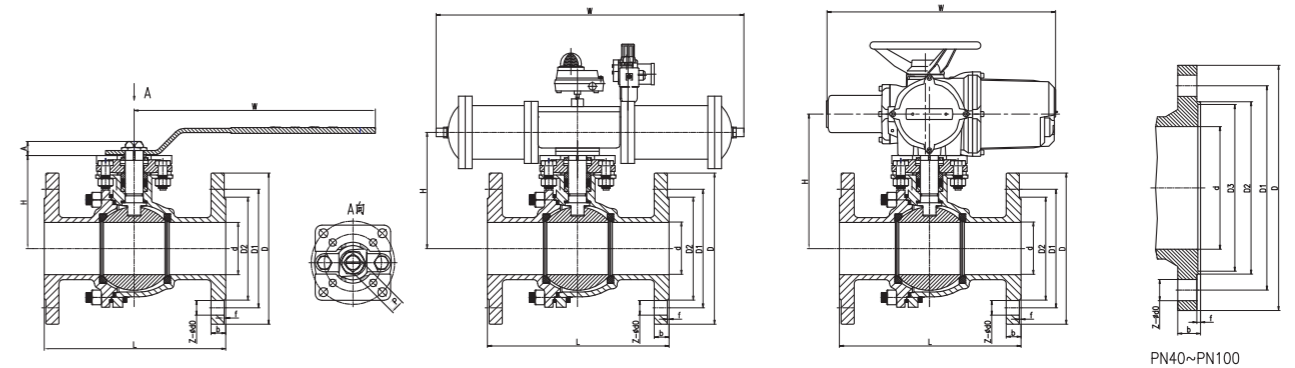
Note: 1. Above the standard configuration for a variety of materials, working conditions or customer may require additional configuration  
2. Anti-sulfur series valves according to NACE 0175/0101 standard  
3. The valve has two kinds of silica and compound die cast body

高平台法兰球阀 FLANGED BALL VALVE WITH TOP MOUNTING

GB参数

标准规范 Standard specification:

- 设计标准/Design: GB/T12237
- 结构长度/Face to face: GB/T12221
- 法兰接口/End flange: JB/T79.1 GB/T 9113 HG/T 20592
- 检验与测试/Inspection & testing: GB/13927, JB/T 9092



主要尺寸 Dimension  
PN16

Unit:mm

DN	d	L	D	D1	D2	b	f	Z-d0	W		A	□P	ISO 5211
									普通General	铸造Casting			
DN15	15	130	95	65	45	16	2	4-14	120	124	9	9	F03/F05
DN20	20	130	105	75	58	18	2	4-14	120	124	9	9	F03/F05
DN25	25	140	115	85	68	18	2	4-14	152	187	11	11	F04/F05
DN32	32	165	140	100	78	18	2	4-18	152	187	10	10	F04/F05
DN40	40	165	150	110	88	18	3	4-18	190	220	14	14	F05/F07
DN50	50	203	165	125	102	18	3	4-18	190	220	14	14	F05/F07
DN65	65	222	185	145	122	18	3	8-18	350		14	14	F07/F10
DN80	76	241	200	160	138	20	3	8-18	350		14	14	F07/F10
DN100	100	305	220	180	158	20	3	8-18	350		17	17	F07/F10
DN125	125	356	250	210	188	22	3	8-18	400		22	22	F10/F12
DN150	150	394	285	240	212	22	3	8-22	600		27	27	F10/F12
DN200	200	457	340	295	268	24	3	12-22	600		27	27	F10/F12
DN250	250	533	405	355	320	26	3	12-26	400		42	36	F12
DN300	300	610	460	410	378	28	3	12-26	400		42	36	F12

注: 本系列阀门的法兰还可客户要求选择其它标准。如: HG20592、GB/T9113  
Note: This series valve flange can also choose other standard customer requirements. Such as: HG20592, GB/T9113

高平台法兰球阀 FLANGED BALL VALVE WITH TOP MOUNTING

PN25

Unit:mm

DN	d	L	D	D1	D2	b	f	Z-d0	W		A	□P	ISO 5211
									普通General	铸造Casting			
DN15	15	130	95	65	45	16	2	4-14	120	124	9	9	F03/F05
DN20	20	130	105	75	58	18	2	4-14	120	124	9	9	F03/F05
DN25	25	140	115	85	68	18	2	4-14	152	187	11	11	F04/F05
DN32	32	165	140	100	78	18	2	4-18	152	187	10	10	F04/F05
DN40	40	165	150	110	88	18	3	4-18	190	220	14	14	F05/F07
DN50	50	203	165	125	102	20	3	4-18	190	220	14	14	F05/F07
DN65	65	222	185	145	122	22	3	8-18	350		14	14	F07/F10
DN80	76	241	200	160	138	24	3	8-18	350		14	14	F07/F10
DN100	100	305	235	190	162	24	3	8-18	350		17	17	F07/F10
DN125	125	356	270	220	188	26	3	8-18	400		22	22	F10/F12
DN150	150	394	300	250	218	28	3	8-22	600		27	27	F10/F12
DN200	200	457	360	310	278	30	3	12-26	600		27	27	F10/F12
DN250	250	533	425	370	335	32	3	12-30	400		42	36	F12
DN300	300	610	485	430	395	34	3	16-30	400		42	36	F14

PN40

Unit:mm

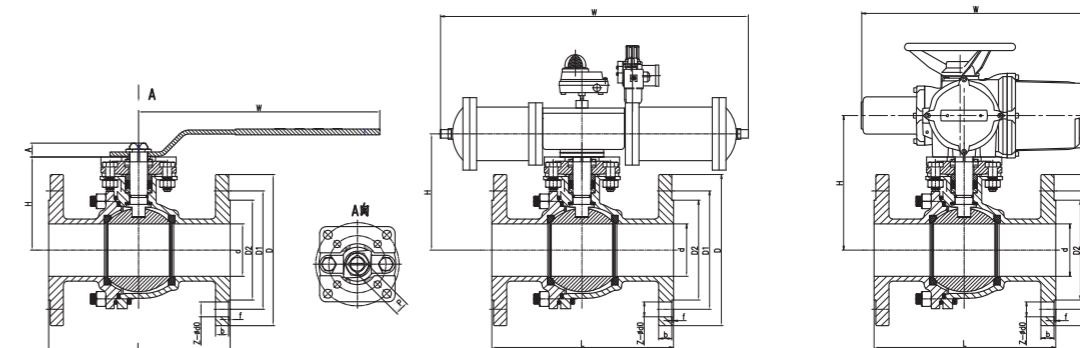
DN	d	L	D	D1	D2	b	f	Z-d0	W		A	□P	ISO 5211
									普通General	铸造Casting			
DN15	15	130	95	65	45	14	2	4-14	120	124	9	9	F03/F05
DN20	20	150	105	75	58	16	2	4-14	120	124	9	9	F03/F05
DN25	25	160	115	85	68	16	2	4-14	152	187	11	11	F04/F05
DN32	32	180	140	100	78	18	2	4-18	152	187	10	10	F04/F05
DN40	40	200	150	110	88	18	3	4-18	190	220	14	14	F05/F07
DN50	50	230	165	125	102	20	3	4-18	190	220	14	14	F05/F07
DN65	65	290	185	145	122	22	3	8-18	350		14	14	F07/F10
DN80	76	310	200	160	138	24	3	8-18	350		14	14	F07/F10
DN100	100	350	235	190	162	24	3	8-22	350		17	17	F07/F10
DN125	125	381	270	220	188	26	3	8-26	400		22	22	F10/F12
DN150	150	403	300	250	218	28	3	8-26	600		27	27	F10/F12
DN200	200	417	375	320	285	34	3	12-30	600		27	27	F10/F12
DN250	250	457	450	385	345	38	3	12-33	400		42	36	F12
DN300	300	502	515	450	410	42	3	16-33	400		42	36	F14

高平台法兰球阀 FLANGED BALL VALVE WITH TOP MOUNTING

ASME参数

标准规范 Standard specification:

- ◎设计标准/Design: API6D, API 608
- ◎结构长度/Face to face: ASME B16.10
- ◎法兰接管/Endflange: ASME B16.5
- ◎检验与测试/Inspection & testing: API 598



主要尺寸 Dimension

CL150

Unit:mm

SIZE	L	d	D	D1	D2	b	f	Z-d0	W	ISO 5211	H	A	P
1/2"	108	13	89	60.5	35	8	2	4-16	120	F03/F04	46	9	9
3/4"	117	20	98	70	43	9	2	4-16	120	F03/F04	51	10	9
1"	127	25	108	79.5	51	9.6	2	4-16	152	F04/F05	57	13	11
1-1/4"	140	32	117	89	64	11.2	2	4-16	152	F04/F05	60	13	11
1-1/2"	165	40	127	98.5	73	12.7	2	4-16	190	F05/F07	80	13	14
2"	178	50	152	120.5	92	14.3	2	4-19	190	F05/F07	86	15	14
2-1/2"	190	65	177.8	139.7	105	16.9	2	4-19	350	F07	101	18	17
3"	203	76	190.5	152.4	127	17.5	2	4-19	350	F07	111	18	17
4"	229	100	28.6	190.5	157	20.3	2	8-19	350	F07/F10	131	18	17
5"	356	125	254	216	186	22.3	2	8-22.3	600	F12	152	22	22
6"	394	150	279.4	241.5	216	23.9	2	8-22.3	600	F12	188	35	27
8"	457	200	343	298.5	270	27	2	8-22.3	600	F12	250	36	27
10"	533	250	406.4	362	324	28.6	2	12-25.4	400	F12	465	46	36
12"	610	300	482.6	432	381	30.2	2	12-25.4	400	F12	587	46	36

CL300

Unit:mm

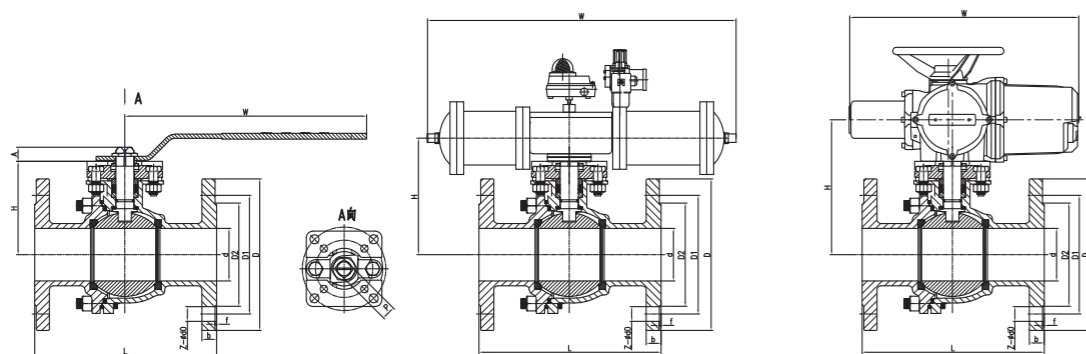
SIZE	L	d	D	D1	D2	b	f	Z-d0	W	ISO 5211	H	A	P
1/2"	140	13	95	66.5	35	12.7	2	4-16	120	F03/F04	46	9	9
3/4"	152	20	117	82.5	43	14.3	2	4-19	120	F03/F04	51	10	9
1"	165	25	124	89	51	15.9	2	4-19	152	F04/F05	57	13	11
1-1/4"	178	32	133	98.5	64	17.5	2	4-19	152	F04vF05	60	13	11
1-1/2"	190	40	156	114.5	73	19.1	2	4-22	190	F05/F07	80	13	14
2"	216	50	165	127	92	20.7	2	8-19	190	F05/F07	86	15	14
2-1/2"	241	65	190	149	105	23.9	2	8-22	350	F07	101	18	17
3"	283	76	210	168.5	127	27.1	2	8-22	350	F07	111	18	17
4"	305	100	254	200	157	30.2	2	8-22	350	F07/F10	131	18	17
5"	381	125	279	235	186	33.4	2	8-22	600	F12	152	22	22
6"	403	150	318	270	216	35	2	12-22	600	F12	188	35	27
8"	419	200	381	330	270	39.7	2	12-25	600	F12	250	36	27
10"	557	250	444	388	324	46.1	2	12-29	400	F12	465	46	36
12"	502	300	521	451	381	49.3	2	16-32	400	F12	587	46	36

## 高平台法兰球阀 FLANGED BALL VALVE WITH TOP MOUNTING

### JIS参数

#### 标准规范 Standard specification:

- 设计标准/Design: JIS B2071
- 结构长度/Face to face: JIS B 2002(ASME B16.10)
- 法兰接端/End flange: JIS B2220
- 检验与测试/Inspection & testing: JIS B 2003, API 598



#### 主要尺寸 Dimension

##### 10K

Unit:mm

SIZE	L	d	D	D1	D2	b	f	Z-d0	W	ISO 5211	H	A	P
DN15	108	13	95	70	35	12	2	4-15	120	F03/F05	46	9	9
DN20	117	20	100	75	43	14	2	4-15	120	F03/F05	51	10	9
DN25	127	25	125	90	51	14	2	4-19	152	F04/F05	57	13	11
DN40	165	40	140	105	73	16	2	4-19	190	F05/F07	80	13	14
DN50	178	50	155	120	92	16	2	4-19	190	F05/F07	86	15	14
DN65	190	65	175	140	105	18	2	4-19	350	F07	101	18	17
DN80	203	76	185	150	127	18	2	8-19	350	F07	111	18	17
DN100	229	100	210	175	157	18	2	8-19	350	F07/F10	131	18	17
DN125	356	125	250	210	186	20	2	8-23	600	F12	152	22	22
DN150	394	150	280	240	216	22	2	8-23	600	F12	188	35	27
DN200	457	200	330	290	270	22	2	12-23	600	F12	250	36	27
DN250	533	250	400	355	324	24	2	12-25	400	F12	465	46	36
DN300	610	300	445	400	381	24	2	16-25	400	F12	587	46	36

##### 20K

Unit:mm

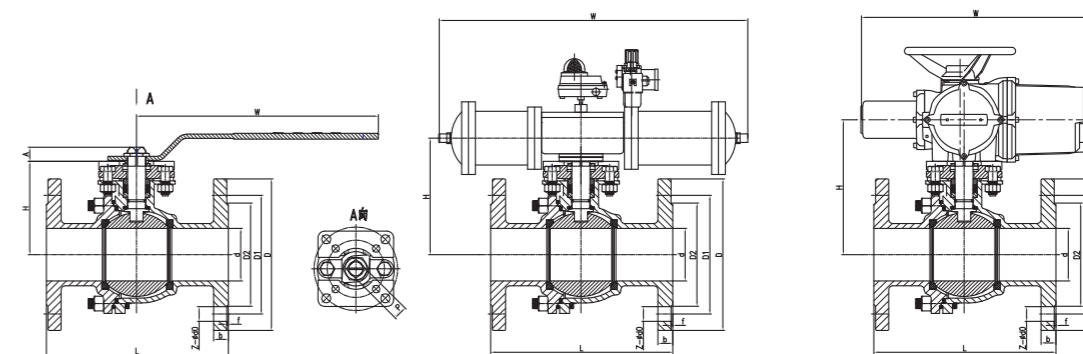
SIZE	L	d	D	D1	D2	b	f	Z-d0	W	ISO 5211	H	A	P
DN15	140	13	95	70	35	14	2	4-15	120	F03/F05	46	9	9
DN20	152	20	110	75	43	16	2	4-15	120	F03/F05	51	10	9
DN25	165	25	125	90	51	16	2	4-19	152	F04/F05	57	13	11
DN32	178	32	135	100	64	18	2	4-19	152	F04/F05	60	13	11
DN40	190	40	140	105	73	18	2	4-19	190	F05/F07	80	13	14
DN50	216	50	155	120	92	18	2	8-19	190	F05/F07	86	15	14
DN65	241	65	175	140	105	20	2	8-19	350	F07	101	18	17
DN80	282	76	200	160	127	22	2	8-23	350	F07	111	18	17
DN100	305	100	225	185	157	24	2	8-23	350	F07/F10	131	18	17
DN125	381	125	270	225	186	26	2	8-25	600	F12	152	22	22
DN150	403	150	305	260	216	28	2	12-25	600	F12	188	35	27
DN200	502	200	350	305	270	30	2	12-25	600	F12	250	36	27
DN250	568	250	/	/	324	/	2	/	400	F12	465	46	36
DN300	648	300	/	/	381	/	2	/	400	F12	587	46	36

## 高平台法兰球阀 FLANGED BALL VALVE WITH TOP MOUNTING

### DIN参数

#### 标准规范 Standard specification:

- 设计标准/Design: DIN 3357/1, 2, EN12516-1
- 结构长度/Face to face: DIN 3202 F1(DN15~DN100) F4(DN15~DN100)  
EN 558-1 Series 27(DN15~DN100) Series 1 (DN15~DN100)
- 法兰接端/End flange: DIN2633-2635/EN 1092-1
- 检验与测试/Inspection & testing: DIN 3230/3, EN12266



#### 主要尺寸 Dimension

##### PN16

Unit:mm

SIZE	L		d	D	D1	D2	b	f	Z-d0	W	ISO 5211	H	A	P
	F1	F4												
DN15	130	115	15	95	65	45	14	2	4-14	124	F03/F05	46	9.3	9
DN20	150	120	20	105	75	58	16	2	4-14	124	F03/F05	51	9.6	9
DN25	160	125	25	115	85	68	16	2	4-14	187	F04/F05	58	12.5	11
DN32	180	130	32	140	100	78	16	2	4-18	187	F04/F05	60	12.6	11
DN40	200	140	40	150	110	88	16	3	4-18	220	F05/F07	80	13.1	14
DN50	230	150	50	165	125	102	18	3	4-18	220	F05/F07	86	14.8	14
DN65	290	170	65	185	145	122	18	3	4-18	350	F07	101	29.8	17
DN80	310	180	80	200	160	138	20	3	8-18	350	F07	111	29.2	17
DN100	350	190	100	220	180	158	20	3	8-18	350	F10	131	31.8	17
DN125	400	325	125	250	210	188	22	3	8-18	600	F10	152	27.0	22
DN150	450	350	150	285	240	212	22	3	8-22	600	F12	188	27.0	27
DN200	550	400	200	340	295	268	24	3	12-22	600	F12	350	27.0	27
DN250	650	450	250	405	355	320	26	3	12-26	400	F12	465	46	36
DN300	750	500	300	460	410	378	28	4	12-26	400	F12	587	46	36

### 高平台法兰球阀 FLANGED BALL VALVE WITH TOP MOUNTING

#### PN25

Unit:mm

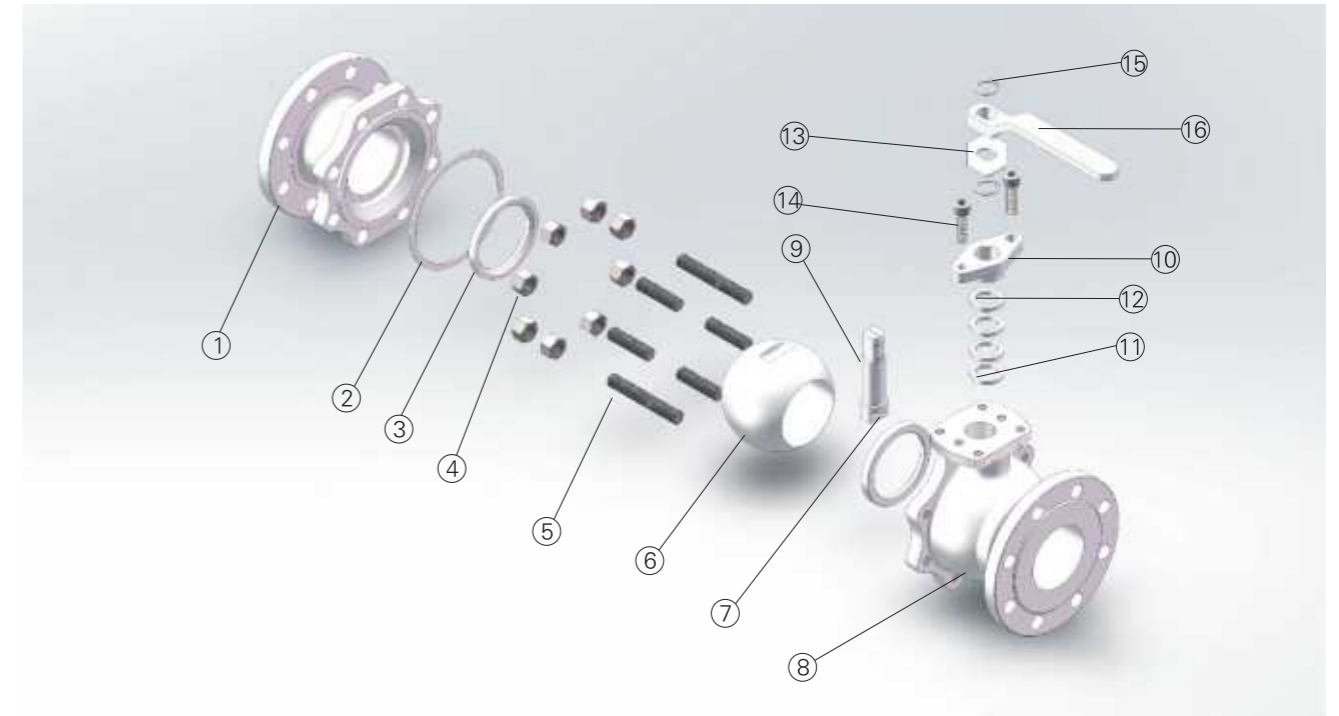
SIZE	L		d	D	D1	D2	b	f	Z-d0	W	ISO 5211	H	A	P
	F1	F4												
DN15	130	115	15	95	65	45	16	2	4-14	124	F03/F05	46	9.3	9
DN20	150	120	20	105	75	58	18	2	4-14	124	F03/F05	51	9.6	9
DN25	160	125	25	115	85	68	18	2	4-14	187	F04/F05	58	12.5	11
DN32	180	130	32	140	100	78	18	2	4-18	187	F04/F05	60	12.6	11
DN40	200	140	40	150	110	88	18	3	4-18	220	F05/F07	80	13.1	14
DN50	230	150	50	165	125	102	20	3	4-18	220	F05/F07	86	14.8	14
DN65	290	170	65	185	145	122	22	3	8-18	350	F07	101	29.8	17
DN80	310	180	80	200	160	138	24	3	8-18	350	F07	111	29.2	17
DN100	350	190	100	235	190	162	24	3	8-22	350	F10	131	31.8	17
DN125	400	325	125	270	220	188	26	3	8-26	600	F10	152	27.0	22
DN150	450	350	150	300	250	218	28	3	8-26	600	F12	188	27.0	27
DN200	550	400	200	360	310	278	30	3	12-26	600	F12	350	27.0	27
DN250	650	450	250	425	370	335	32	3	12-30	400	F12	465	46	36
DN300	750	500	300	485	430	395	34	4	16-30	400	F12	587	46	36

#### PN40

Unit:mm

SIZE	L		d	D	D1	D2	b	f	Z-d0	W	ISO 5211	H	A	P
	F1	F4												
DN15	130	115	15	95	65	45	16	2	4-14	124	F03/F05	46	9.3	9
DN20	150	120	20	105	75	58	18	2	4-14	124	F03/F05	51	9.6	9
DN25	160	125	25	115	85	68	18	2	4-14	187	F04/F05	58	12.5	11
DN32	180	130	32	140	100	78	18	2	4-18	187	F04/F05	60	12.6	11
DN40	200	140	40	150	110	88	18	3	4-18	220	F05/F07	80	13.1	14
DN50	230	150	50	165	125	102	20	3	4-18	220	F05/F07	86	14.8	14
DN65	290	170	65	185	145	122	22	3	8-18	350	F07	101	29.8	17
DN80	310	180	80	200	160	138	24	3	8-18	350	F07	111	29.2	17
DN100	350	190	100	235	190	162	24	3	8-22	350	F10	131	31.8	17
DN125	400	325	125	270	220	188	26	3	8-26	600	F10	152	27.0	22
DN150	450	350	150	300	250	218	28	3	8-26	600	F12	188	27.0	27
DN200	550	400	200	375	320	285	34	3	12-30	600	F12	350	27.0	27
DN250	650	450	250	450	385	345	38	3	12-33	400	F12	465	46	36
DN300	750	500	300	515	450	410	42	4	16-33	400	F12	587	46	36

### 低平台球阀 LOW PLATFORM BALL VALVE



#### 主要零件材料 The main parts materials

序号 No.	零件名称 Part name	碳钢系列 Carbon steel	不锈钢系列 Stainless steel	低温钢系列 Low temperature steel	抗硫系列 Sulfur series	
					碳钢系列 Carbon steel	不锈钢系列 Stainless steel
1	阀盖 Cap	A216 WCB	A351 CF8/CF8M	A352 LCB/ LCC	A216 WCB	A351 CF8M
2	垫片 Gasket	柔性石墨+不锈钢 Graphite+stainless				
3	阀座 Seap	PTFE、RPTFE				
4	螺母 Nut	A194 2H	A194 8/8M	A194 4	A194 2HM	A194 8M
5	螺栓 Bolt	A193 B7	A193 B8/B8M	A320 L7	A193 B7M	A193 B8M
6	球体 Ball	A105+ HCr/ENP	A182 F304/F316	A182 F304	A105+ HCr/ENP	A182 F316+ENP
7	防静电装置 Antistatic device	不锈钢+弹簧 SS+spring				
8	阀体Body	A216 WCB	A351—CF8/CF8M	A352 LCB/ LCC	A216 WCB	A351 CF8M
9	阀杆 Stem	A182 F6a	A182 F304/316	A182 F6a	A182 F6a	A182 F316
10	填料压板 Gland flange	A216 WCB	A351 CF8/CF8M	A351 CF8	A216 WCB	A351 CF8M
11	填料垫 Gland	45	304	304	45	304
12	填料 Packing	柔性石墨、PTFE				
13	定位片 Stopper	Q235A				
14	螺钉 Glot	A193 B7	A193 B8/B8M	A320 L7	A193 B7M	A193 B8M
15	卡簧 Jump ring	65Mn				
16	手柄 Handle	A216 WCB 铝合金				

注: 1.以上为各代表材质的标准配置, 可以按工况或客户要求另外配置。  
2.抗硫系列符合NACE 0175/0103标准。

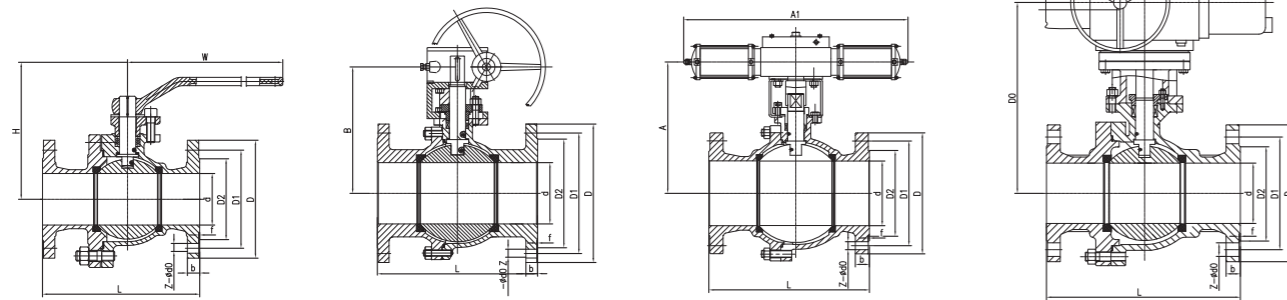
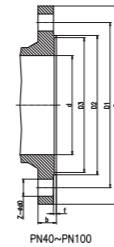
Note: 1. Above the standard configuration for a variety of materials, working conditions or customer may require additional configuration  
2. Anti-sulfur series valves according to NACE 0175/0101 standard

低平台浮动球阀 LOW PLATFORM FLOATING BALL VALVE

GB参数

标准规范 Standard specification:

- 设计标准/Design: GB/T12237
- 结构长度/Face to face: GB/T12221
- 法兰连接/End flange: JB/T79.1 GB/T 9113 HG/T 20592
- 检验与测试/Inspection & testing: GB/13927, JB/T 9092



主要尺寸 Dimension

PN16

Unit:mm

DN mm	L RF	d	D	D1	D2	b	f	Z-d0	H	W
15	130	15	95	65	45	16	2	4-14	59	130
20	130	20	105	75	58	18	2	4-14	59	130
25	140	25	115	85	68	18	2	4-14	63	130
32	165	32	140	100	78	18	2	4-18	75	180
40	165	40	150	110	88	18	3	4-18	95	230
50	203	50	165	125	102	18	3	4-18	107	230
65	222	65	185	145	122	18	3	8-18	142	400
80	241	80	200	160	138	20	3	8-18	152	400
100	305	100	220	180	158	20	3	8-18	178	650
125	356	125	250	210	188	22	3	8-18	252	650
150	394	150	285	240	212	22	3	8-22	272	1000
200	457	200	340	295	268	24	3	12-22	342	1125

低平台浮动球阀 LOW PLATFORM FLOATING BALL VALVE

PN25

Unit:mm

DN mm	L RF	d	D	D1	D2	b	f	Z-d0	H	W
15	130	15	95	65	45	16	2	4-14	75	130
20	130	20	105	75	58	18	2	4-14	75	130
25	140	25	115	85	68	18	2	4-14	85	130
32	165	32	135	100	78	18	2	4-18	110	180
40	170	40	140	110	88	18	3	4-18	135	230
50	203	50	165	125	102	20	3	4-18	142	230
65	222	65	185	145	122	22	3	8-18	173	400
80	241	80	200	160	138	24	3	8-18	183	400
100	305	100	235	190	162	24	3	8-22	250	650
125	356	125	270	220	188	26	3	8-26	315	650
150	394	150	300	250	218	28	3	8-26	340	1100
200	457	200	360	310	278	30	3	12-26	395	1125

PN40

Unit:mm

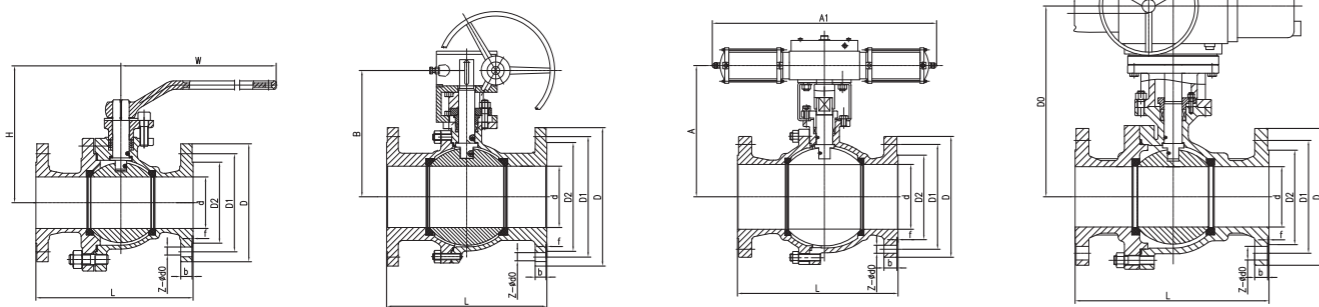
DN mm	L RF	d	D	D1	D2	D3	b	f	Z-d0	H	W
15	130	15	95	65	45	40	16	2	4-14	75	130
20	150	20	105	75	58	51	18	2	4-14	75	130
25	160	25	115	85	68	58	18	2	4-14	85	130
32	180	32	140	100	78	66	18	2	4-18	110	180
40	200	40	150	110	88	76	18	3	4-18	135	230
50	230	50	165	125	102	88	20	3	4-18	142	230
65	290	65	185	145	122	110	22	3	8-18	173	400
80	310	80	200	160	138	121	24	3	8-18	183	400
100	350	100	235	190	162	150	24	3	8-22	250	650
125	400	125	270	220	188	176	26	3	8-26	315	1050
150	403	150	300	250	218	204	28	3	8-26	340	1050
200	457	200	375	320	285	260	34	3	12-30	395	1500

低平台浮动球阀 LOW PLATFORM FLOATING BALL VALVE

# ASME参数

## 标准规范 Standard Specification:

- 设计标准/Design: API6D, API 608
- 结构长度/Face to face: ASME B16.10
- 法兰连接/End flange: ASME B16.5
- 检验与测试/Inspection & testing: API 598



## 主要尺寸 Dimension

### CL150

Unit:mm

SIZE	L	d	D	D1	D2	b	f	Z-d0	手动 Manual		蜗轮 Worm	气动 Pneumatic actuators		电动 Electric actuator
									H	W	B	A1	D0	
1/2"	108	13	90	60.3	34.9	8	2	4-16	59	130	/	136	/	
3/4"	117	19	100	69.9	42.9	9	2	4-16	63	130	/	136	/	
1"	127	25	110	79.4	50.8	9.6	2	4-16	75	160	/	181	/	
1-1/4"	140	32	115	88.9	63.5	11.2	2	4-16	95	230	/	181	/	
1-1/2"	165	38	125	98.4	73	12.7	2	4-16	107	230	/	257	472	
2"	178	49	150	120.7	92.1	14.3	2	4-19	142	400	/	257	486	
2-1/2"	190	62	180	139.7	104.8	15.9	2	4-19	152	400	/	257	579	
3"	203	74	190	152.4	127	17.5	2	4-19	178	650	/	287	595	
4"	229	100	230	190.5	157.2	22.3	2	8-19	252	1050	/	378	650	
5"	356	/	255	215.9	185.7	22.3	2	8-22	272	1050	292	378	739	
6"	394	150	280	241.3	215.9	23.9	2	8-22	342	1410	398	530	799	
8"	457	210	345	298.5	269.9	27	2	8-22	/	/	/	/	/	
10"	533	252	450	362	323.8	28.6	2	12-25	/	/	/	/	/	
12"	610	303	485	431.8	381	30.2	2	12-25	/	/	/	/	/	

低平台浮动球阀 LOW PLATFORM FLOATING BALL VALVE

### CL300

Unit:mm

DN mm	L RF	d	D	D1	D2	b	f	Z-d0	手动 Manual		蜗轮 Worm	气动 Pneumatic actuators		电动 Electric actuator
									H	W	B	A1	D0	
1/2"	140	13	95	66.7	34.9	12.7	2	4-16	59	130	/	136	/	
3/4"	152	19	115	82.6	42.9	14.3	2	4-19	63	130	/	136	/	
1"	165	25	125	88.9	50.8	15.9	2	4-19	75	160	/	181	/	
1-1/4"	178	32	135	98.4	63.5	17.5	2	4-19	95	230	/	181	/	
1-1/2"	190	38	155	114.3	73	19.1	2	4-22	107	230	/	257	472	
2"	216	49	165	127.0	92.1	20.7	2	8-19	142	400	/	257	486	
2-1/2"	241	62	190	149.2	104.8	23.9	2	8-22	152	400	/	257	579	
3"	283	74	210	168.3	127	27	2	8-22	178	650	/	287	595	
4"	305	100	255	200	157.2	30.2	2	8-22	252	1050	/	378	650	
5"	381	/	280	235	185.7	33.4	2	8-22	272	1050	292	378	739	
6"	403	150	320	269.9	215.9	35	2	12-22	342	1410	398	530	799	
8"	419	210	380	33.2	269.9	39.7	2	12-25	/	/	/	/	/	
10"	457	252	445	387.4	323.8	46.1	2	16-29	/	/	/	/	/	
12"	502	303	520	450.8	381	49.3	2	16-32	/	/	/	/	/	

### CL600

Unit:mm

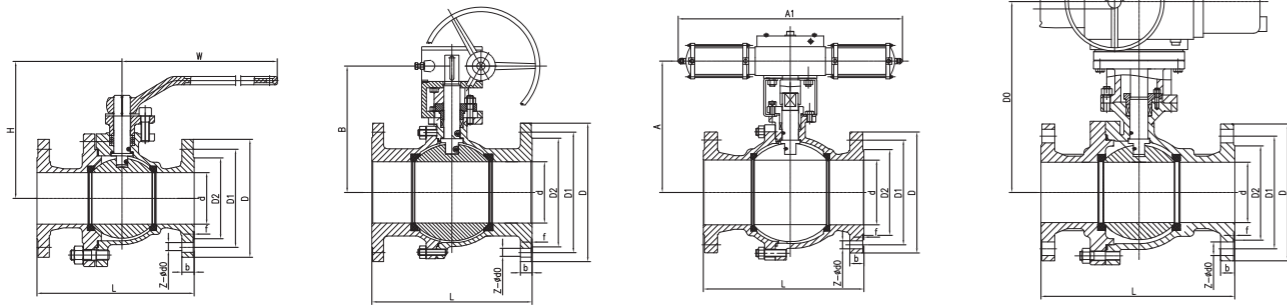
DN mm	L RF	d	D	D1	D2	b	f	Z-d0	手动 Manual		蜗轮 Worm	气动 Pneumatic actuators		电动 Electric actuator
									H	W	B	A1	D0	
1/2"	165	13	95	66.7	34.9	14.3	7	4-16	79	140	/	136	/	
3/4"	190	19	115	82.6	42.9	15.9	7	4-19	83	140	/	136	/	
1"	216	25	125	88.9	50.8	17.5	7	4-19	114	200	/	181	/	
1-1/4"	229	32	135	98.4	63.5	20.7	7	4-19	120	200	/	181	/	
1-1/2"	241	38	155	114.3	73	22.3	7	4-22	125	250	/	257	472	
2"	292	49	165	127	92.1	25.4	7	8-19	156	300	/	257	486	
2-1/2"	330	62	190	149.2	104.8	28.6	7	8-22	172	350	/	257	579	
3"	356	74	210	168.3	127	31.8	7	8-22	220	500	/	287	595	
4"	432	100	275	215.9	157.2	38.1	7	8-25	250	650	/	378	650	

低平台浮动球阀 LOW PLATFORM FLOATING BALL VALVE

# JIS参数

**标准规范 Standard specification:**

- 设计标准/Design: JIS B2071
- 结构长度/Face to Face: JIS B 2002(ASME B16.10)
- 法兰连接/Endflange: JIS B2220
- 检验与测试/Inspection & Testing: JIS B 2003, API 598

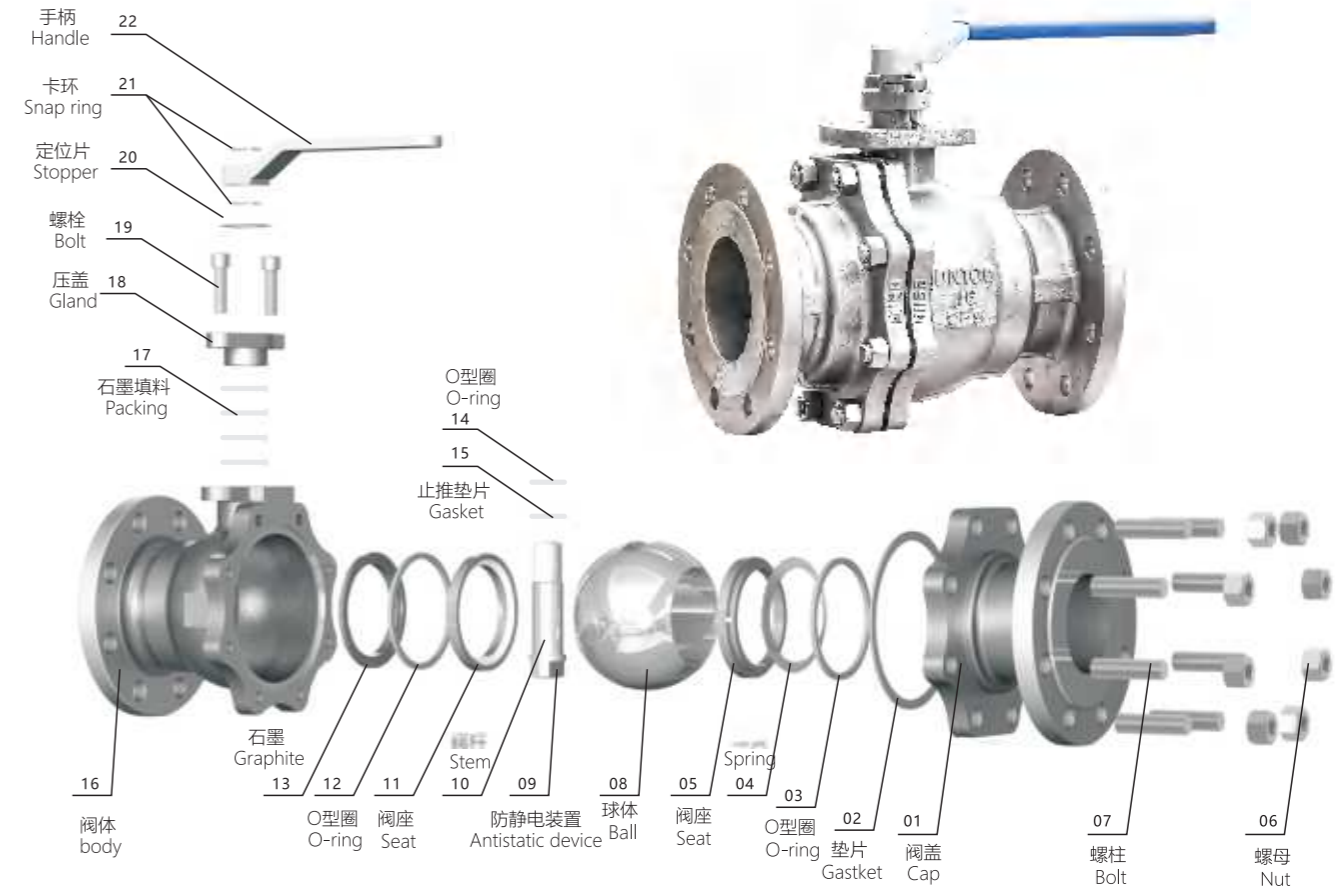


**主要尺寸 Dimension 10K**

Unit:mm

SIZE	L	d	D	D1	D2	b	f	Z-d0	驱动方式				
									手动 Manual	蜗轮 Worm	气动 Pneumatic actuators	电动 Electric actuator	
									H	W	B	A1	D0
1/2"	108	13	95	70	35	12	2	4-15	59	130	/	136	/
3/4"	117	20	100	75	43	14	2	4-15	63	130	/	136	/
1"	127	25	125	90	51	14	2	4-19	75	160	/	181	/
1-1/4"	140	32	135	100	64	16	2	4-19	95	230	/	181	/
1-1/2"	165	40	140	105	73	16	2	4-19	107	230	/	257	472
2"	178	50	155	120	92	16	2	4-19	142	400	/	257	486
2-1/2"	190	65	175	140	105	18	2	4-19	152	400	/	257	579
3"	203	76	185	150	127	18	2	8-19	178	650	/	287	595
4"	229	100	210	175	157	18	2	8-19	252	1050	/	378	650
5"	356	125	250	210	186	20	2	8-23	272	1050	292	378	739
6"	394	150	280	240	216	22	2	8-23	342	1410	398	530	799
8"	457	200	330	290	270	22	2	12-23	/	/	/	/	/
10"	533	250	400	355	324	24	2	12-25	/	/	/	/	/
12"	610	300	445	400	381	24	2	16-25	/	/	/	/	/

硬密封球阀部件说明 Ball Valve, Flanged Ends, GB/T



...金属硬密封浮动球阀的产品范围见下表/

口径 Size	NPS	1/2	3/4	1	1 1/4	1 1/2	2	2 1/2	3	4	5	6
	DN	15	20	25	32	40	50	65	80	100	125	150
公称压力 Pressure stage or nominal pressure	Class*150/PN20	☆	☆	☆	☆	☆	☆	☆	☆	△	△	△
	Class300/PN50	☆	☆	☆	☆	☆	☆	△	△	△	-	-
	Class600/PN110	☆	☆	☆	☆	☆	△	△	△	-	-	-
	Class900/PN150	☆	☆	☆	☆	△	△	△	-	-	-	-
	Class 1500/PN260	☆	☆	☆	☆	△	△	-	-	-	-	-

注: 对于手动球阀, ☆表示建议采用扳手, △表示建议采用蜗轮蜗杆传动。  
Note: For the manual ball valve, ☆ indicates that Lever is suggested, △ indicates that worm gear is suggested.

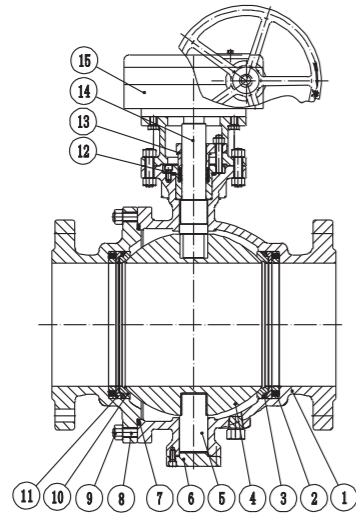


### 金属硬密封固定球阀

#### Metal to Metal Sealed Ball Valve

#### 金属硬密封固定球阀典型结构及零部件组成/

Typical drawing of metal to metal sealed trunnion ball valve and parts composition



- 1-阀体Body
- 2-弹簧 Spring
- 3-石墨垫
- 4-球体 Ball
- 5-下轴 Trunnion
- 6-下端盖 Down end cap
- 7-垫片 Gasket
- 8-螺柱 Stud
- 9-螺母 Nut
- 10-阀座 Seat
- 11-压圈 Seat seal gland
- 12-填料 Packing
- 13-填料压套 Gland
- 14-阀杆 Stem
- 15-蜗轮装置 SW on m gea

#### ...主要尺寸与重量/ Main sizes and weights

金属硬密封固定球阀的主要尺寸及质量见固定球阀, 金属硬密封固定球阀的连接法兰尺寸及结构长度尺寸与固定球阀相同  
Refer to the main sizes and weights of metal to metal sealed trunnion ball valve, of which the flange dimensions and face to face dimensions are the same as that of trunnion ball valve.

#### 金属硬密封固定球阀的产品范围见下表/

Products range of metal to metal sealed trunnion ball valve is as below table

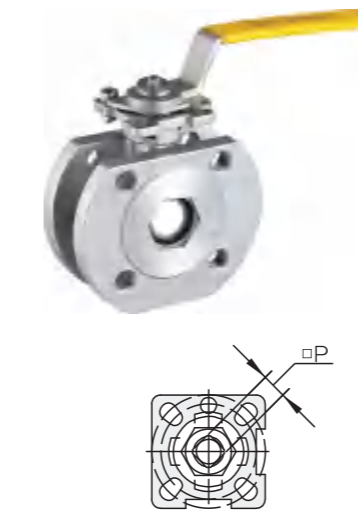
口径 Size	NPS	4	5	6	8	10	12	14	16	18	20	24
	DN	100	125	150	200	250	300	350	400	450	500	600
公称压力 Pressure stage or nominal pressure	Class 150/PN20	△	△	△	△	△	△	△	△	△	△	△
	Class 300/PN50	△	△	△	△	△	△	△	△	△	△	-
	Class 600/PN110	△	△	△	△	△	△	-	-	-	-	-
	Class 900/PN150	△	△	△	△	△	△	-	-	-	-	-
	Class 1500/PN260	△	△	△	△	△	△	-	-	-	-	-
Class 2500/PN420	△	△	△	△	△	-	-	-	-	-	-	

...金属硬密封固定球阀/  
Forged steel metal to metal sealed trunnion ball valve

聚智信公司的金属硬密封固定球阀一般采用铸钢阀体,根据用户要求,也可采用锻钢,锻钢金属硬密封固定球阀的法兰尺寸及结构长度与铸钢固定球阀相同。

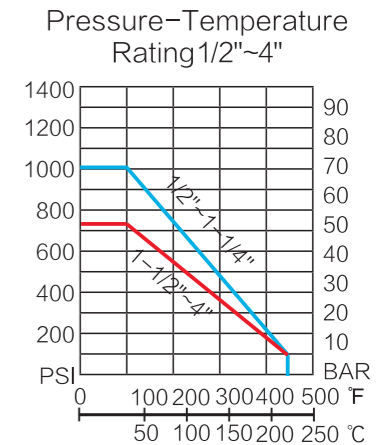
Juzhixin company's metal to metal sealed trunnion ball valve is in general employing casted steel valve body. As per customers' requirement, forged steel valve body is also available, of which the flange dimensions and face to face dimensions are the same as that of cast steel trunnion ball valve.

### 低平台浮动球阀 LOW PLATFORM FLOATING BALL VALVE

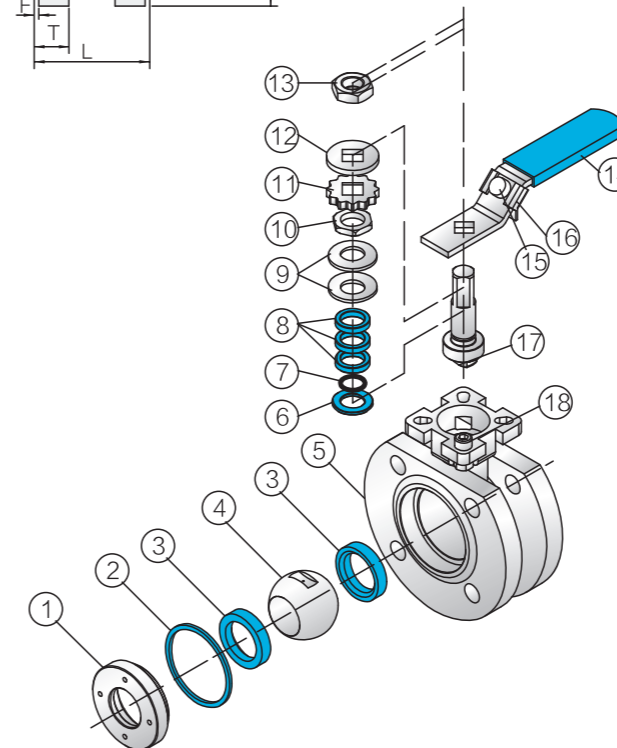
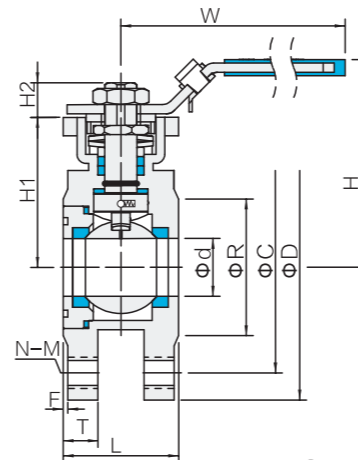


#### PRODUCTS STANDARD

- ◆Blow-Out Proof Stem 防脱出阀杆
- ◆Investment Casting Body 精密铸造阀体
- ◆Full Port 全通径设计
- ◆Belleville Washer for Self-Adjustment 蝶簧中头填料自动调节
- ◆ISO5211 Direct Mounting Pad 带直装平台设计
- ◆Flange Standard 法兰标准: DIN2633
- ◆Design Acc 设计标准: ASME B16.34
- ◆Inspection & Testing Acc 检测标准: API 598
- ◆Seat: PTFE, Glass filled PTFE, Carbon filled PTFE available



PN	Size	φd	L	H	H1	H2	ΦR	ΦC	ΦD	W	T	F	□P	N-M	ISO 5211	Torque N.M
16	1/2"	15	35	77	48.5	9	45	65	95	120	10	2	9	4-M12	F03/F04	4
	3/4"	20	42	85	54	9	58	75	105	120	12	2	9	4-M12	F03/F04	5
	1"	25	48	94	60	11	68	85	115	137	15	2	11	4-M12	F04/F05	5
40	1-1/4"	32	55	104	72	11	78	100	140	187	15	2	11	4-M12	F04/F05	7
	1-1/2"	38	65	114	77	14	88	100	145	187	16	3	14	4-M16	F05/F07	9
	2"	50	75	120	86	14	102	125	160	187	18	3	14	4-M16	F05/F07	16
16	2-1/2"	65	95	160	108	17	122	145	180	315	18	3	17	4-M16	F07/F10	21
	3"	80	118	170	116	17	138	160	195	315	20	3	17	8-M16	F07/F10	25
	4"	100	140	182	138	17	162	190	215	315	20	3	19	8-M16	F07/F10	46



#### 主要构件材料 Materials of Main Construction

Item No.	Part Name	Material
1	Cap 阀盖	CF8M   CF8   WCB
2	Body Gasket 阀体密封	PTFE
3	Ball Seat 阀座	PTFE
4	Ball 球	SS316   SS304
5	Body 阀体	CF8M   CF8   WCB
6	Thrust Washer 密封垫圈	PTFE
7	O-Ring O型圈	VITON
8	V-Ring Packing V型填料	PTFE
9	Gland nut 压盖	SS304
10	Belleville Washer 蝶簧	SS301
11	Stop Nut 紧定螺母	SS304
12	Washer 紧定垫圈	SS304
13	Stem Nut 垫圈	SS304
14	Handle cover 手柄皮套	SS304
15	Handle 手柄	SS201
16	Locking 锁定装置	SS201
17	Stem 阀杆	SS316   SS304
18	Locking bolt 定位螺栓	SS304

## 固定式球阀 Q47 FIXED METAL SEALING BALL VALVE

### 结构优势与特点Structural advantages and characteristics

- 1、操作省力：介质压力在球体上产生作用力全部传递给上下轴承，球体不会相对位置移动，两端阀座密封受力均匀，操作力矩低。
- 2、采用弹簧预加载荷的可动金属阀座结构，能适用高温、高压以及各种介质管路。
- 3、根据客户要求，可以设计能适用于含颗粒、料浆等介质。
- 4、广泛适用于食品、医药、石油、化工、天然气、钢铁、环保、造纸等介质管路。

1、The operation reduces effort: The medium pressure will produce the good action on the spheroid to transmit completely gives the lower bearing, the spheroid relative position migration, the both sides valve seat seal stress will not be even, the operation moment of force will be low.

2、Uses the spring pre-Canada load the movable metal valve seat structure, can be suitable the high temperature, the high pressure as well as each medium pipeline.

3、According to the customer request, may design can be suitable in contains medium and so on pellet, ground paste.

4、Widely is suitable for medium pipelines and so on food, medicine, petroleum, chemical industry, natural gas, steel and iron, environmental protection, Papermaking.

### 标准与规范Standards and norms

- 1、设计和制造Design and manufacture: GB/T12237-2007;GB/T21385-2008
- 2、检验和试验Inspection and test: GB/T13927-2008
- 3、法兰连接Flange connection: JB/T79.1-4-2015 GB/T9113 HG/T20592
- 4、结构长度Structure length: GB/T12221-2005

### 性能参数 Performance parameter

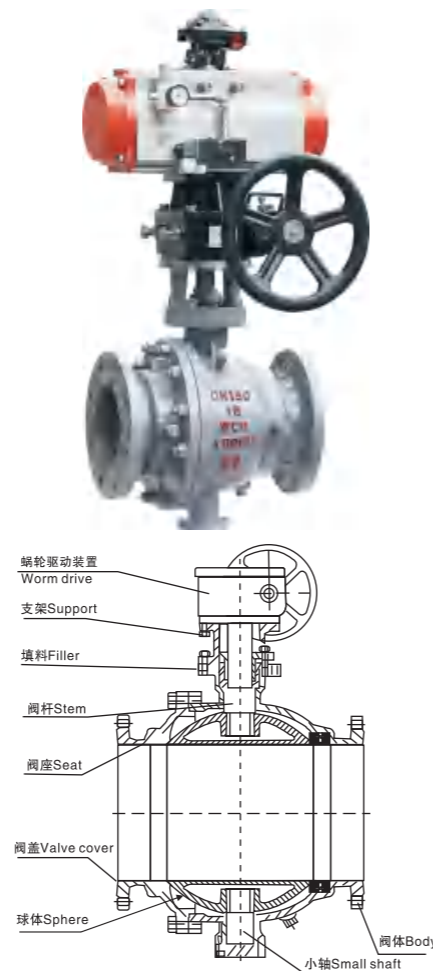
试验压力Test pressure

单位Unit: MPa

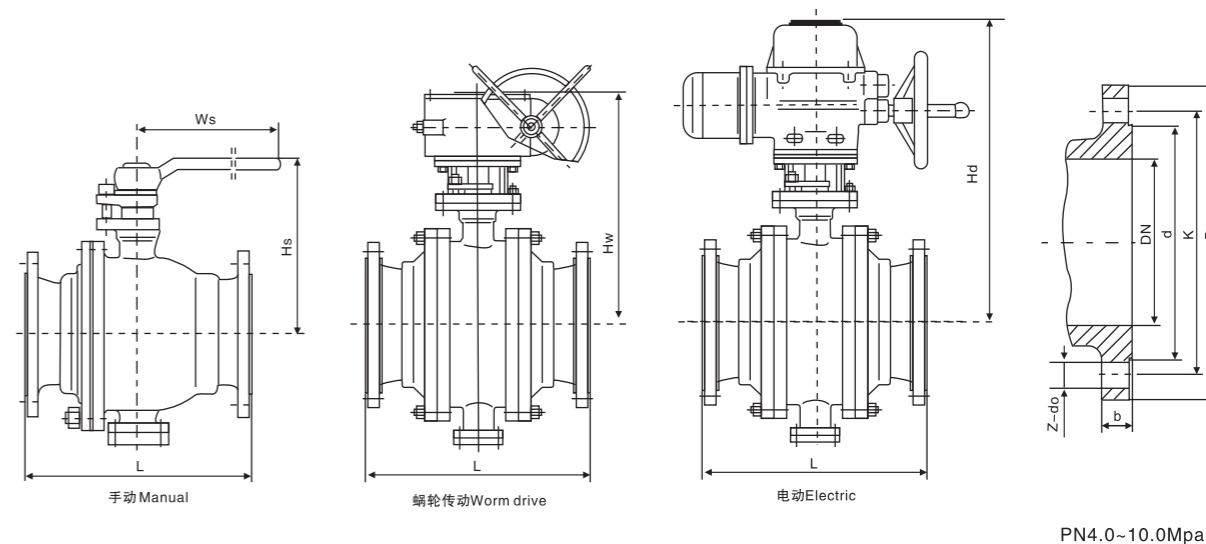
公称压力 PN	常温最大工作压力 Maximum temperature Working pressure	壳体试验压力 Case Test pressure	气密封试验压力 Gas Seals Test pressure	高压密封试验压力 High-pressure sealing Test pressure
1.6	1.6	2.4	0.6	1.76
2.5	2.5	3.8	0.6	2.75
4.0	4.0	6.0	0.6	4.4
6.3	6.4	9.6	0.6	7.1
10.0	10.0	15.0	0.6	11.0

### 使用范围Terms of Use

壳体材料 Shell material	工作温度 Work temperature ( °C )	适用介质 Applicable media
碳钢C型 Carbon steel C	≤425℃	水、蒸汽、油品等 Water, steam, oil, etc.
铬镍钛钢P型 Chrome P-type nickel-titanium steel	≤200℃	硝酸类 Nitric acid
铬镍钼钛钢R型 Chrome-nickel steel R-Mo Ti	≤200℃	醋酸类 Acetic acid
铬钼钒钢I型 Chromium molybdenum vanadium steel I	≤550℃	蒸汽、冶炼、能源等 Steam, metallurgical, energy, etc.



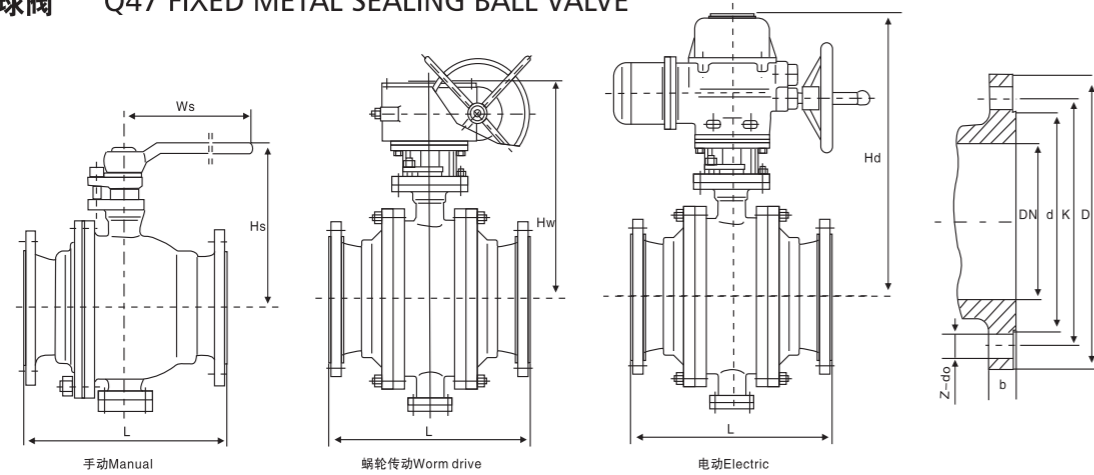
## 固定式球阀 Q47 FIXED METAL SEALING BALL VALVE



### 尺寸数据 Dimensions data

公称压力 PN(MPa)	公称口径 DN(mm)	尺寸 Size(mm)										
		L	D	K	d	Y	b	z-d0	Ws	Hs	Hw	Hd
1.6MPa	150	394	285	240	210	-	24	8-23	1000	305	470	540
	200	457	340	295	265	-	26	12-23	-	-	520	580
	250	533	405	355	320	-	30	12-25	-	-	610	640
	300	610	460	410	375	-	30	12-25	-	-	650	690
	350	686	520	470	435	-	34	16-25	-	-	740	785
	400	762	580	525	485	-	36	16-30	-	-	795	830
2.5MPa	450	864	640	585	545	-	40	20-30	-	-	860	910
	500	914	715	650	608	-	44	20-34	-	-	945	990
	600	1067	840	770	718	-	48	20-41	-	-	1040	1090
	150	403	300	250	218	-	30	8-25	1000	305	470	555
	200	502	360	310	278	-	34	12-25	-	-	540	595
	250	568	425	370	332	-	36	12-30	-	-	630	655
4.0MPa	300	648	485	430	390	-	40	16-30	-	-	650	705
	350	762	555	490	448	-	44	16-34	-	-	740	795
	400	838	620	550	505	-	48	16-34	-	-	795	830
	450	914	670	600	555	-	50	20-34	-	-	860	910
	500	991	730	660	610	-	52	20-41	-	-	945	990
	600	1143	845	770	718	-	56	20-41	-	-	1040	1090
6.3MPa	150	403	300	250	218	204	30	8-25	1200	360	485	590
	200	502	375	320	282	260	38	12-30	-	-	580	640
	250	568	450	385	345	313	42	12-34	-	-	665	680
	300	648	515	450	408	364	46	16-34	-	-	760	810
	350	762	580	510	465	422	52	16-34	-	-	820	890
	400	838	660	585	535	474	58	16-41	-	-	860	940
10.0MPa	450	914	685	610	560	524	60	20-41	-	-	930	1010
	500	991	755	670	612	576	62	20-48	-	-	980	1130
	600	1143	890	795	730	678	62	20-54	-	-	1040	1090
	150	495	345	280	240	204	38	8-34	1200	360	485	590
	200	597	405	345	300	260	44	12-34	-	-	580	650
	250	673	470	400	352	313	48	12-41	-	-	665	720
16.0MPa	300	762	530	460	412	364	54	16-41	-	-	760	840
	350	826	600	525	475	422	60	16-41	-	-	820	930
	400	902	670	585	525	474	66	16-48	-	-	870	990
	500	1054	800	705	640	576	70	20-54	-	-	995	1150
600	1232	930	820	750	678	76	20-58	-	-	1100	1180	

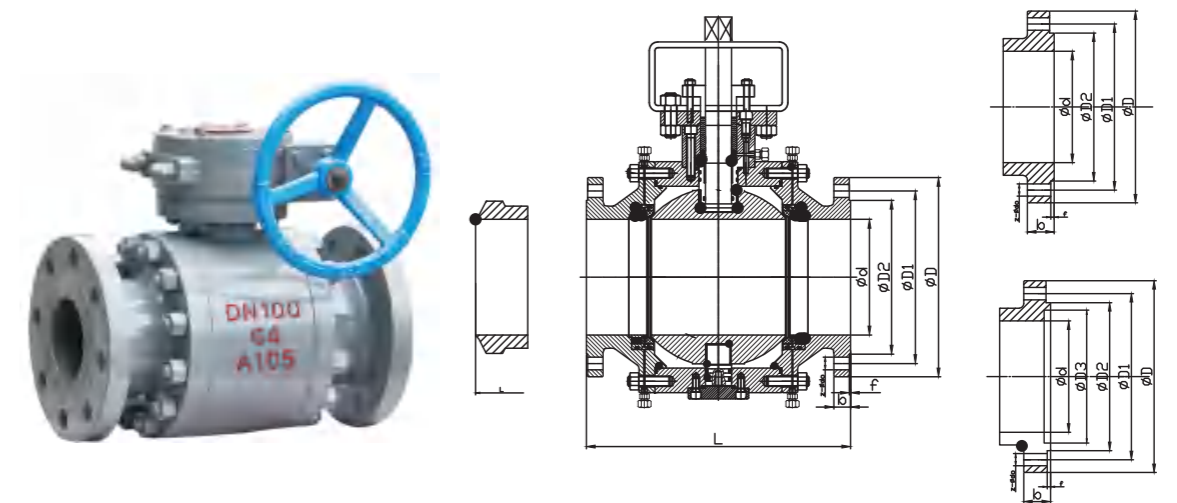
固定式球阀 Q47 FIXED METAL SEALING BALL VALVE



尺寸数据 Dimensions data

公称压力 PN(MPa)	公称口径 DN(mm)	尺寸 Size(mm)										
		L	D	K	d	Y	b	z-d0	Ws	Hs	Hw	Hd
Class 150	2"	178	152	120.5	92	-	16	4-19	260	155	-	-
	2 1/2"	190	178	139.5	105	-	18	4-19	350	185	-	-
	3"	203	190	152.5	127	-	19	4-19	500	205	-	-
	4"	229	229	190.5	157	-	24	8-19	650	255	390	500
	5"	356	254	216	186	-	24	8-22	800	285	410	520
	6"	394	279	241.5	216	-	26	8-22	1000	305	470	540
	8"	457	343	298.5	270	-	29	8-22	-	-	520	580
	10"	533	406	362	324	-	31	12-25	-	-	610	640
	12"	610	483	432	381	-	32	12-25	-	-	650	690
	14"	686	533	476	413	-	35	12-29	-	-	740	785
	16"	762	597	540	470	-	37	16-29	-	-	795	830
	18"	864	635	578	533	-	40	16-32	-	-	860	910
	20"	914	699	635	584	-	43	20-32	-	-	945	990
	24"	1067	813	749.5	692	-	48	20-35	-	-	1040	1090
28"	1245	927	864	800	-	71	28-35	-	-	1150	1210	
32"	1372	1060	978	914	-	81	28-41	-	-	1280	1340	
Class 300	2"	216	165	127	92	-	23	8-19	260	155	-	-
	2 1/2"	241	190	149	105	-	26	8-22	350	185	-	-
	3"	283	210	168.5	127	-	29	8-22	500	205	-	-
	4"	305	254	200	157	-	32	8-22	800	270	410	530
	5"	381	279	235	186	-	35	8-22	1000	305	470	560
	6"	403	318	270	216	-	37	12-22	1200	340	485	590
	8"	502	381	330	270	-	42	12-25	-	-	5809	640
	10"	568	445	387.5	324	-	48	16-29	-	-	665	680
	12"	648	521	451	381	-	51	16-32	-	-	760	810
	14"	762	584	514.5	413	-	54	20-32	-	-	820	890
	16"	838	648	571.5	470	-	58	20-35	-	-	860	940
	18"	914	711	628.5	533	-	61	24-35	-	-	930	1010
	20"	991	775	686	584	-	64	24-35	-	-	980	1130
	Class 600	2"	292	165	127	108	82.550	26	8-19	350	175	-
2 1/2"		330	190	149	127	101.600	29	8-22	500	200	-	-
3"		356	210	168	146	123.825	32	8-22	650	235	-	-
4"		432	273	216	175	149.225	38	8-25	1000	275	395	550
5"		508	330	266.5	210	180.975	45	8-29	1200	325	430	580
6"		559	356	292	241	211.138	48	12-29	-	-	495	620
8"		660	419	349	302	269.876	56	12-32	-	-	595	680
10"		787	508	432	356	323.851	64	16-35	-	-	680	740
12"		838	559	489	413	381.001	67	20-35	-	-	790	850

国标固定球阀 (软密封 / 硬密封) GB FIXED BALL VALVE



主要尺寸及重量

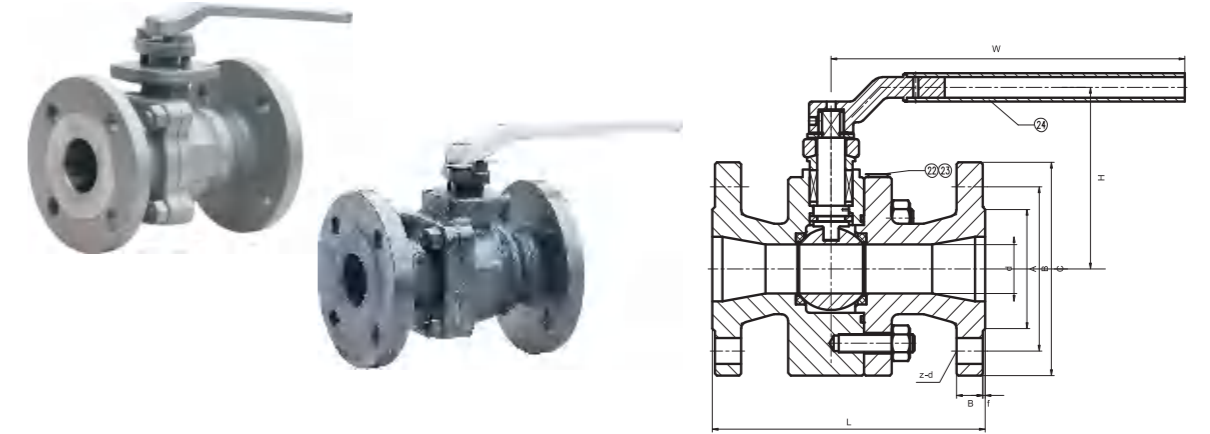
公称压力	DN	L		φd	D	D1	D2	D3	b	f	Z-φd0	H	H1
		法兰	对焊										
PN16	50	203	216	50	165	125	102	-	18	3	4-18	-	-
	65	222	241	65	185	145	122	-	18	3	4-18	-	-
	80	241	283	80	200	160	138	-	20	3	8-18	-	-
	100	305	305	100	220	180	158	-	20	3	8-18	-	-
	125	356	-	125	250	210	188	-	22	3	8-18	-	-
	150	394	457	150	285	240	212	-	22	3	8-23	392	193
	200	457	521	200	340	295	268	-	24	3	12-23	492	240
	250	533	559	250	405	355	320	-	26	3	12-25	548	293
	300	610	635	300	460	410	378	-	28	4	12-25	688	340
	350	686	762	350	520	470	438	-	30	4	16-25	722	372
	400	762	838	400	580	525	490	-	32	4	16-30	722	415
	450	864	914	450	640	585	550	-	40	4	20-30	804	462
	500	914	991	500	700	650	610	-	44	4	20-34	952	511
	600	1067	1143	600	840	770	725	-	54	5	20-41	1154	601
700	1245	1346	700	910	840	795	-	58	5	24-41	1200	680	
PN25	50	203	216	50	160	125	10	-	20	3	4-18	-	-
	65	222	241	65	180	145	122	-	22	3	8-18	-	-
	80	241	283	80	195	160	138	-	24	3	8-18	-	-
	100	305	305	100	230	190	162	-	24	3	8-23	-	-
	125	356	-	125	270	220	188	-	26	3	8-25	-	-
	150	394	457	150	300	250	218	-	28	3	8-25	392	193
	200	457	521	200	360	310	278	-	30	3	12-25	492	240
	250	533	559	250	425	370	335	-	32	3	12-30	548	293
	300	610	635	300	485	430	395	-	34	4	12-30	688	340
	350	686	762	350	550	490	450	-	38	4	16-34	722	372
	400	762	838	400	610	550	505	-	40	4	16-34	722	415
	450	864	914	450	660	600	555	-	46	4	20-34	804	462
	500	914	991	500	730	660	615	-	48	4	20-41	952	511
	600	1067	1143	600	840	770	720	-	58	5	20-41	1154	601
700	1245	1346	700	955	875	820	-	60	5	24-48	1200	680	

国标固定球阀 (软密封 / 硬密封) GB FIXED BALL VALVE

主要尺寸及重量

公称压力	DN	L		d	D	D1	D2	D3	b	f	Z-φd0	H	H1
		法兰	对焊										
PN40	50	230	216	50	160	125	102	88	20	3	4-18	-	-
	65	290	241	65	180	145	122	110	22	3	8-18	-	-
	80	310	283	80	195	160	138	121	24	3	8-18	-	-
	100	350	305	100	230	190	162	150	24	3	8-22	-	-
	125	400	-	125	270	220	188	176	26	3	8-26	-	-
	150	403	457	156	300	250	218	204	28	3	8-25	402	192
	200	419	521	203	375	320	282	260	34	3	12-30	498	246
	250	457	559	254	445	385	345	313	38	3	12-33	655	303
	300	502	635	305	510	450	408	346	42	4	16-33	658	348
	350	762	762	337	570	510	465	422	46	4	16-36	686	378
	400	838	838	387	655	585	535	474	50	4	16-39	880	429
	450	914	914	438	680	610	560	524	57	4	20-39	1050	518
500	919	991	489	755	670	612	576	57	4	20-42	1110	540	
600	1067	1143	591	890	795	730	678	72	5	20-48	1400	650	
Pn63	50	292	219	50	180	135	102	88	26	3	4-22	-	-
	65	330	308	65	205	160	122	110	26	3	8-22	-	-
	80	356	356	80	215	170	138	121	28	3	8-22	-	-
	100	406	305	102	250	200	162	150	30	3	8-26	402	192
	125	508	381	127	295	240	188	175	34	3	8-30	498	246
	150	495	457	152	345	280	218	204	36	3	8-33	655	303
	200	597	521	203	415	345	285	260	42	3	12-36	658	348
	250	673	559	254	470	400	345	313	46	3	12-36	686	378
PN100	300	762	635	305	530	460	410	364	52	4	16-35	880	429
	350	826	762	337	600	525	465	422	56	4	16-39	1050	518
	400	902	838	387	670	585	535	474	60	4	16-42	1110	540
	50	292	292	51	195	145	112	88	30	3	8-26	240	94
	65	330	330	64	220	170	138	110	34	3	8-26	290	115
	80	356	356	76	230	180	148	121	36	3	8-26	340	136
	100	432	432	102	265	210	172	150	40	3	8-30	358	152
	125	508	508	127	315	250	210	175	40	3	8-33	400	180
PN160	150	559	559	152	355	290	250	204	44	3	12-33	445	209
	200	660	660	203	430	360	312	260	52	3	12-36	498	263
	250	787	787	254	505	430	382	313	60	3	12-39	653	312
	300	838	838	305	585	500	442	364	68	4	16-42	665	354
	350	889	889	337	655	560	298	422	74	4	16-48	738	389
PN160	50	368	368	51	195	145	102	88	30	3	4-26	250	98
	65	419	419	65	220	170	122	110	34	3	8-26	300	120
	10	381	381	76	230	180	138	121	36	3	8-26	345	140
	100	457	457	102	265	210	162	150	40	3	8-30	415	162
	125	559	559	127	315	250	188	176	44	3	8-33	446	188
	150	610	610	152	335	290	218	204	50	3	12-33	477	213
	200	737	737	203	430	360	285	260	60	3	12-36	520	270
	250	838	838	254	515	430	345	313	68	3	12-42	628	322
300	965	965	305	595	500	410	364	78	4	16-42	680	360	

锻钢球阀 Q41F-16/40



技术要求

- 1.设计与制造按: GB/T12237规定。
- 2.结构长度按: GB/T 12221 或客户要求。
- 3.法兰端尺寸按: GB/T 9113 HG/T 20592
- 4.检验与实验按: JB/T9092及GB/T26480的规定。
- 5.结构特征: B . B(中部螺栓) 流量:全经 (FP) 缩经RP。
- 6.主体材料: A105, F304, F316, F304L, F316L, F347, F310S, F51特殊材等

尺寸数据 Dimensions data

公称压力 PN(MPa)	公称口径 DN(mm)	尺寸Size (mm)										
		DN	φd	L	H	W	d	A	B	C	T	f
16-25	15	15	130	82	125	40	45	65	95	16	2	4-14
	20	20	130	84	125	51	58	75	105	16	2	4-14
	25	25	140	92	145	58	68	85	115	18	2	4-14
	32	31	165	100	180	66	78	100	140	18	2	4-18
	40	38	165	103	180	76	88	110	150	18	3	4-18
40	15	15	130	82	125	40	45	65	95	16	2	4-14
	20	20	150	84	125	51	58	75	105	18	2	4-14
	25	25	160	92	145	58	68	85	115	16	2	4-14
	32	31	180	100	180	66	78	100	140	18	2	4-18
	40	38	200	106	180	76	88	110	150	18	3	4-18
63	15	15	165	82	125	40	45	75	105	20	2	4-14
	20	20	190	84	125	51	58	90	130	22	2	4-14
	25	25	216	92	145	58	68	100	140	24	2	4-18
	32	31	229	100	180	66	78	110	155	26	2	4-22
	40	38	240	106	180	76	88	125	170	28	3	4-22